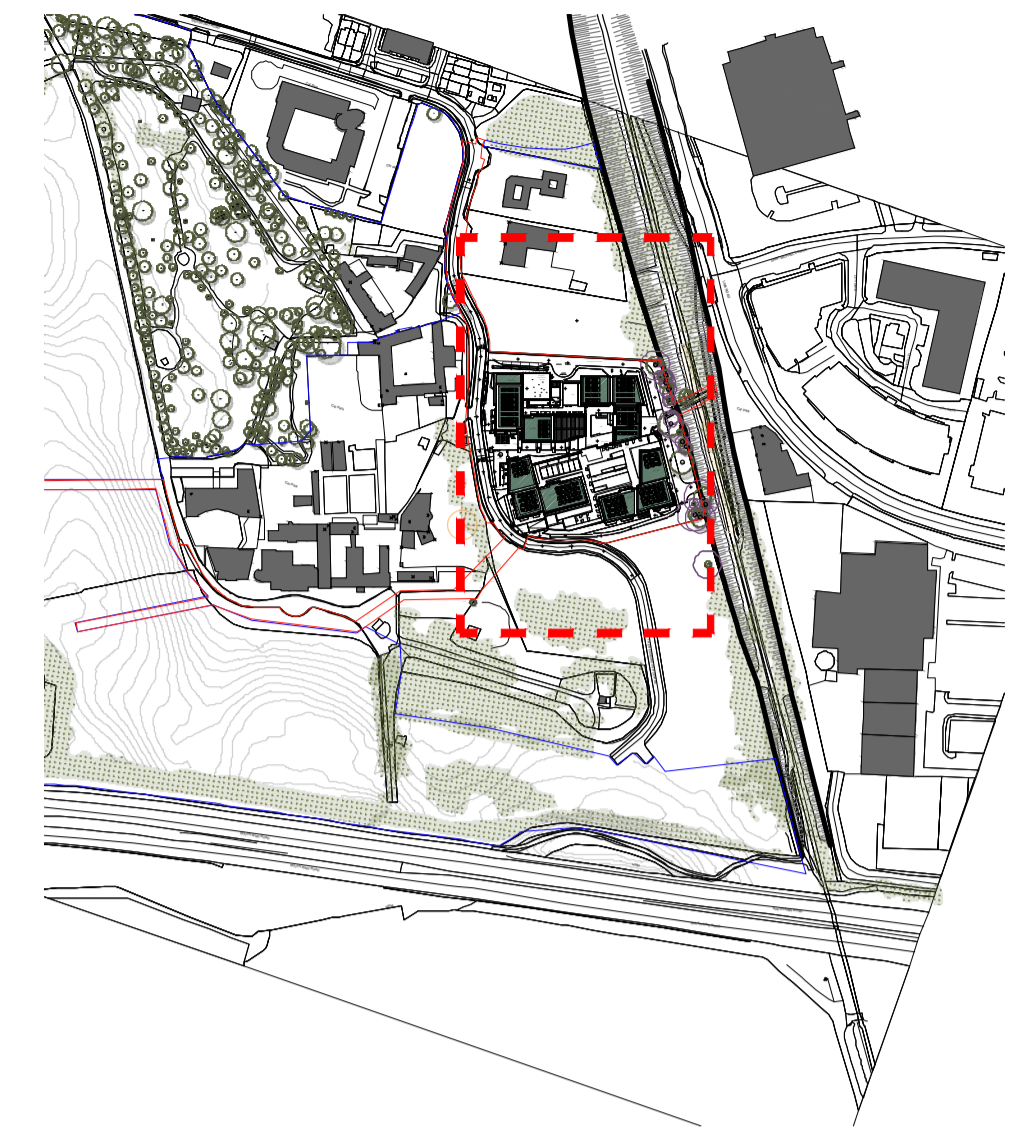




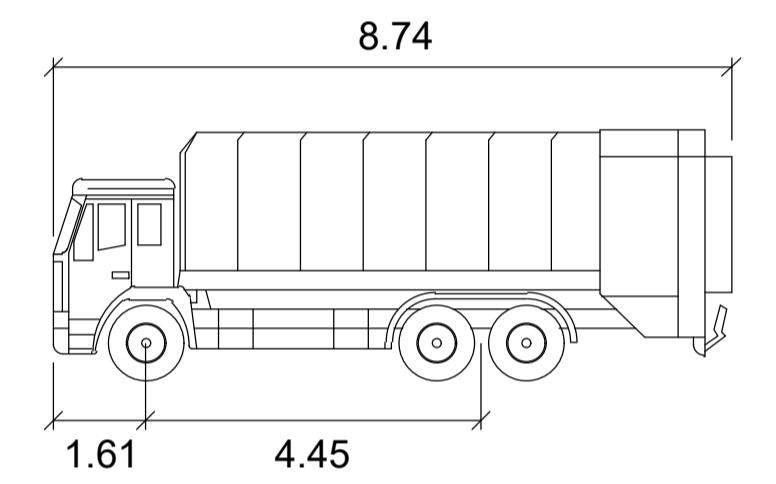
1 GROUND FLOOR PLAN - REFUSE 3 AXLE SITE ENTRY
SCALE 1:500



2 GROUND FLOOR PLAN - REFUSE 3 AXLE SITE EXIT
SCALE 1:500



3 KEY PLAN
SCALE 1:5000



REFUSE 3 AXLE

	Meters
Width	: 2.50
Track	: 2.50
Lock to Lock Time	: 6.0 s
Steering Angle	: 35.3 deg

- SITE BOUNDARY
- ADJOINING LANDS UNDER APPLICANT CONTROL

1:500 A1

VEHICLE MOVEMENT I

SHIPSEYBARRY
place makers

PROJECT: PHASE 2 - THE FARM-BESSBOROUGH DRAWING DESCRIPTION: VEHICLE MOVEMENT PLAN CLIENT: ESTUARY VIEW ENT. 2020 LTD.
SCALE: 1:500 @ A1 DATE: 03.2022 OVERSEEN BY: JJ APPROVED BY: GB DRAWING NO.: SB-2020-106-800

A. DUNNAN 18.02.2022

28, Richmond Hill, Ballydo, Cork, Ireland T: +353 (0)21 2988 55 F: +353 (0)21 2988 27 e: info@shipseybarry.com www.shipseybarry.com © COPYRIGHT OF SHIPSEYBARRY LTD. This drawing or design may not be reproduced without express written permission of SHIPSEYBARRY LTD.

